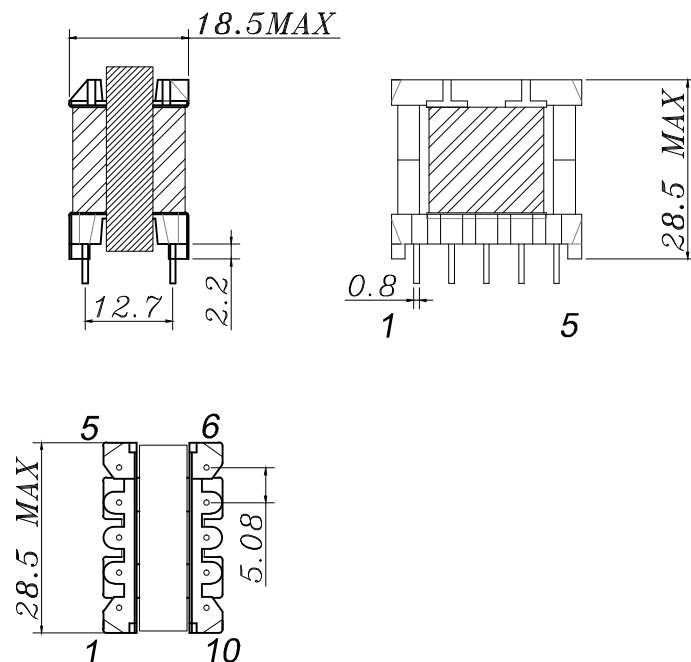


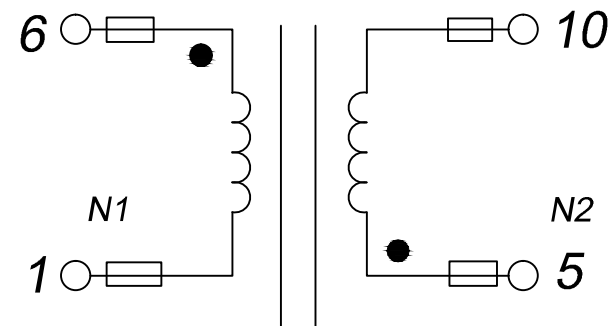
CUSTOMER TERMINAL	ROHS	Lead (Pb) -free
	YES	YES



### 1. Mechanical Dimensions



### 2. Schematic Diagram



### 3. Material List

Core:FW95-EE25/13/7  
BOBBIN:FWB2501  
Wire:2UEW  
Operating Temperature: -30 to 115°C

### 4. Electrical Specification

Inductance:  $L(1-6)=330\mu H \pm 5\%$  1KHZ 1V  
Hi-Pot: coil-core AC 1.0KV 2mA 3S

REV.	DATE	 Convention Placement	DRW.	Drawing Title: <b>TRANSFORMER</b> Customer P/N:	Part No:
0	00/00		CHK.		FWPTEF25V331J
<b>RoHS</b>		<a href="http://www.ferriwo.com">www.ferriwo.com</a>	APP.		Specification Sheet 1 of 1